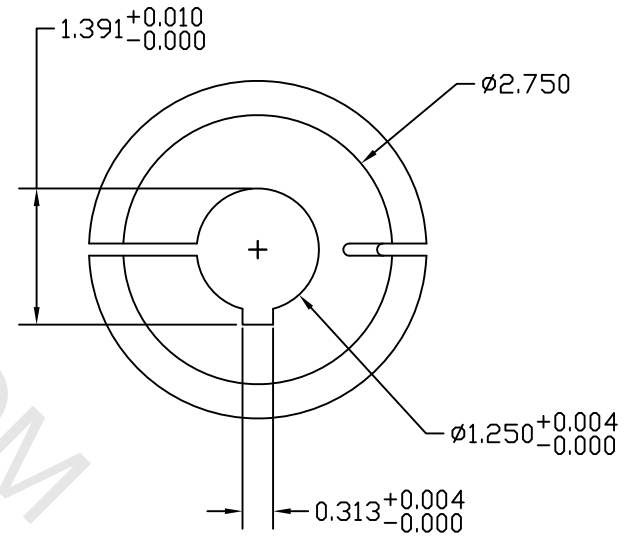
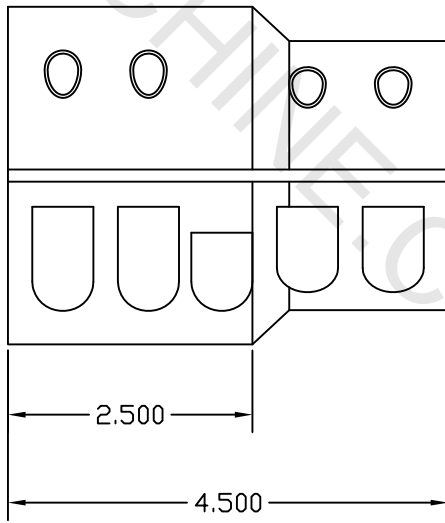
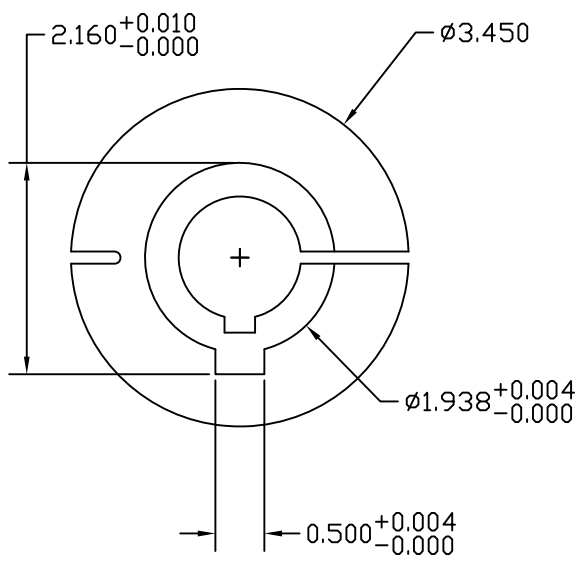


V & O Machine, Inc. Claims proprietary rights in the information disclosed herein. The document is issued in confidence and is not to be reproduced, disclosed or used other than for the expressed purpose for which it was issued. Disclosure to others without written permission from V & O Machine, Inc. is forbidden.



1 1/4" X 1 15/16" COUPLING

V & O MACHINE, INC.		WOODLAND, CA 95695	
17591 COUNTY ROAD 97		FAX 662-0394	
(530) 662-0495			
DRAWN	DATE	TITLE	
	09/08/03	COUPLING	
ENGR	DATE	CERT PRINT	
CUSTOMER		SIZE	REV
		B	D
		DWG NO. 1 1/4 X 1 15/16	
		SCALE NA	SHEET 1 OF 1