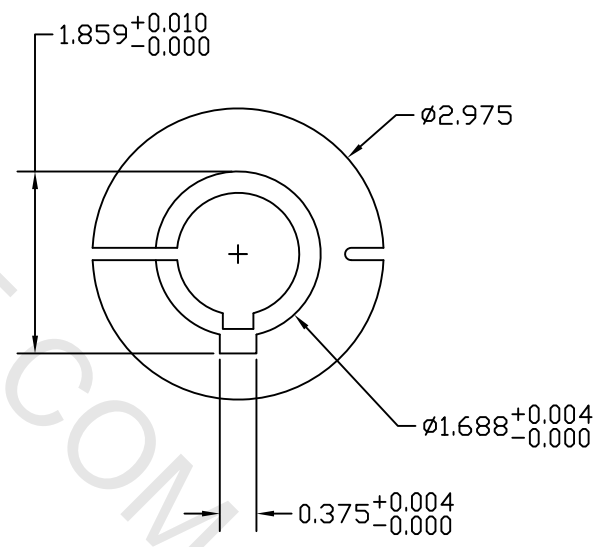
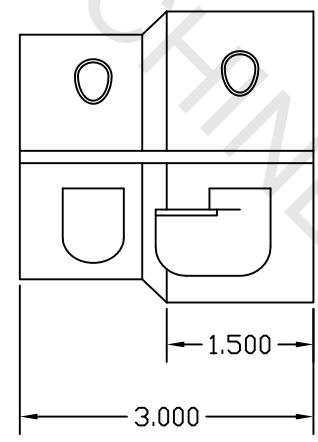
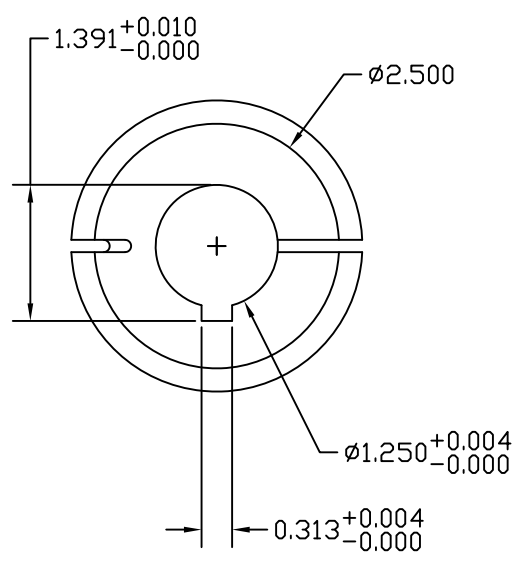


V & O Machine, Inc. Claims proprietary rights in the information disclosed herein. The document is issued in confidence and is not to be reproduced, disclosed or used other than for the expressed purpose for which it was issued. Disclosure to others without written permission from V & O Machine, Inc. is forbidden.



1 1/4" X 1 11/16" COUPLING

DRAWN		DATE		TITLE	
		09/08/03		COUPLING CERT PRINT	
ENGR		DATE		CUSTOMER	
SIZE		DWG NO.		REV	
B		1 1/4 X 1 11/16		B	
SCALE NA				SHEET 1 OF 1	