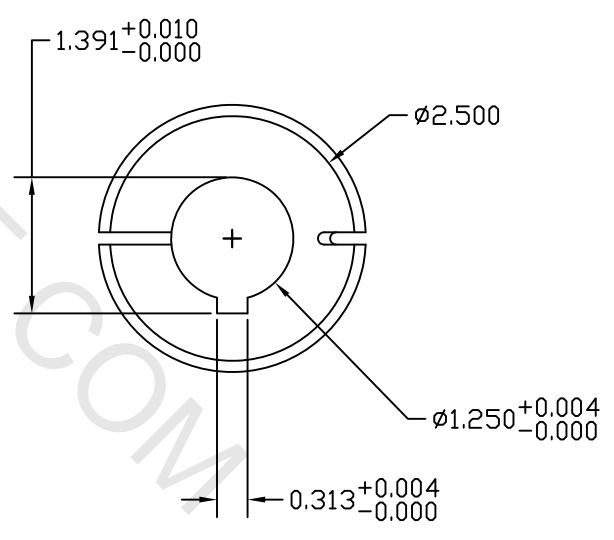
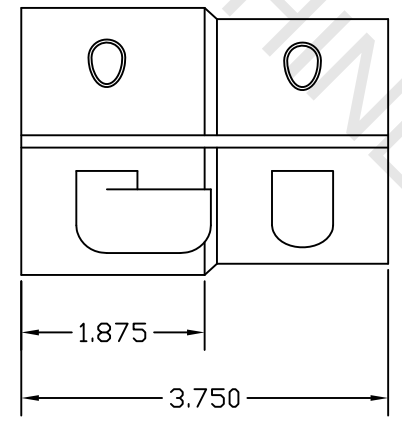
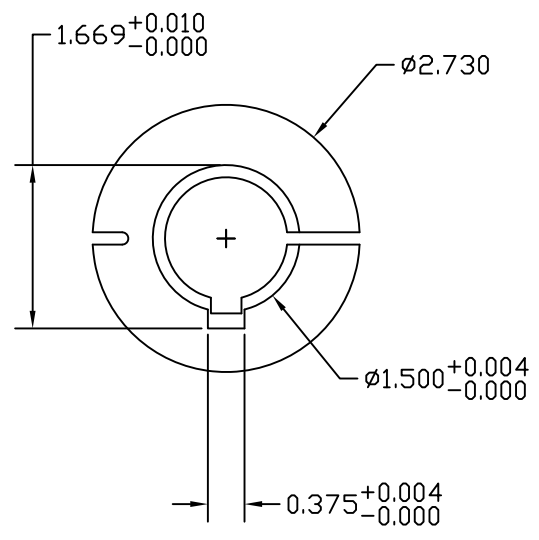


V & O Machine, Inc. Claims proprietary rights in the information disclosed herein. The document is issued in confidence and is not to be reproduced, disclosed or used other than for the expressed purpose for which it was issued. Disclosure to others without written permission from V & O Machine, Inc. is forbidden.



1 1/4" X 1 1/2" COUPLING

| | | | |
|--|------------------|------------------------------------|--------------------------|
| V & O MACHINE, INC. | | | |
| 17591 COUNTY ROAD 97 (530) 662-0495 | | WOODLAND, CA 95695 FAX 662-0394 | |
| DRAWN | DATE 10/23/00 | TITLE COUPLING CERT PRINT | |
| ENGR | DATE | | |
| CUSTOMER | | SIZE B | DWG NO. 1 1/4 x 1 1/2 |
| | | SCALE NA | REV c |
| | | SHEET 1 OF 1 | |