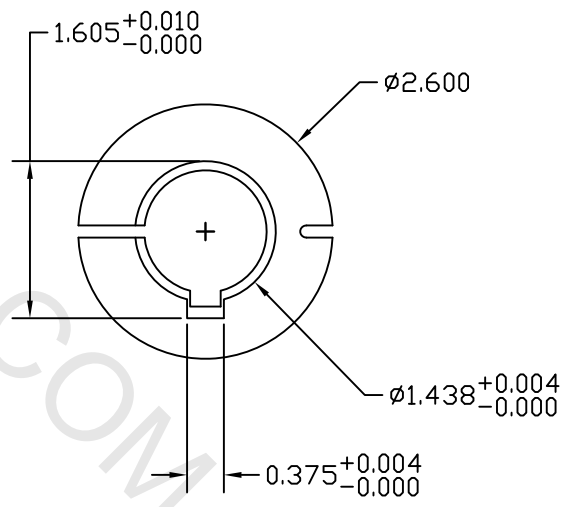
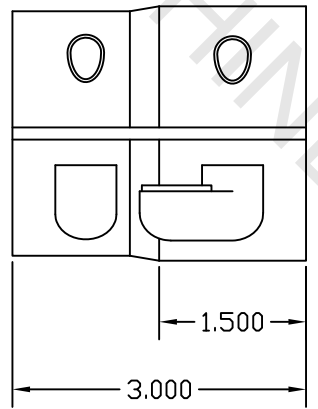
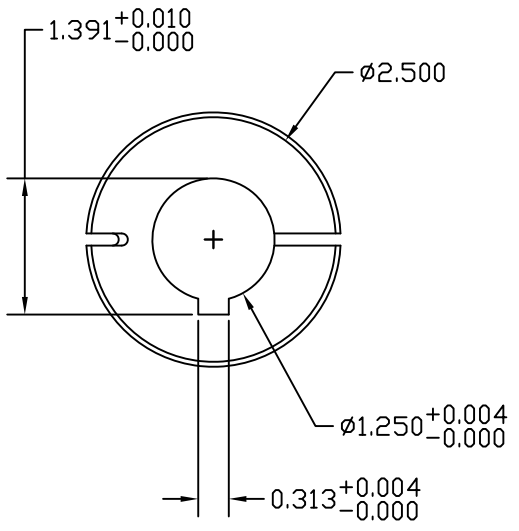


V & O Machine, Inc. Claims proprietary rights in the information disclosed herein. The document is issued in confidence and is not to be reproduced, disclosed or used other than for the expressed purpose for which it was issued. Disclosure to others without written permission from V & O Machine, Inc. is forbidden.



1 1/4" X 1 7/16" COUPLING

V & O MACHINE, INC.		WOODLAND, CA 95695	
17591 COUNTY ROAD 97		(530) 662-0394	
DRAWN ENGR CUSTOMER	DATE DATE DATE	TITLE COUPLING CERT PRINT	
		SIZE B	DWG NO. 1 1/4 X 1 7/16
		SCALE NA	REV B
		SHEET 1 OF 1	