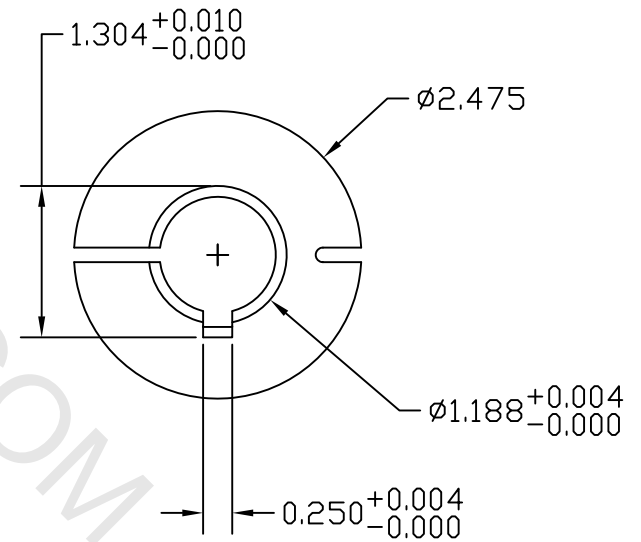
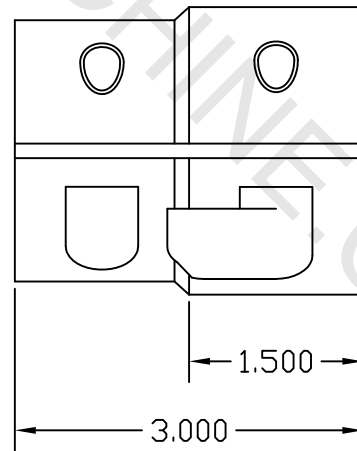
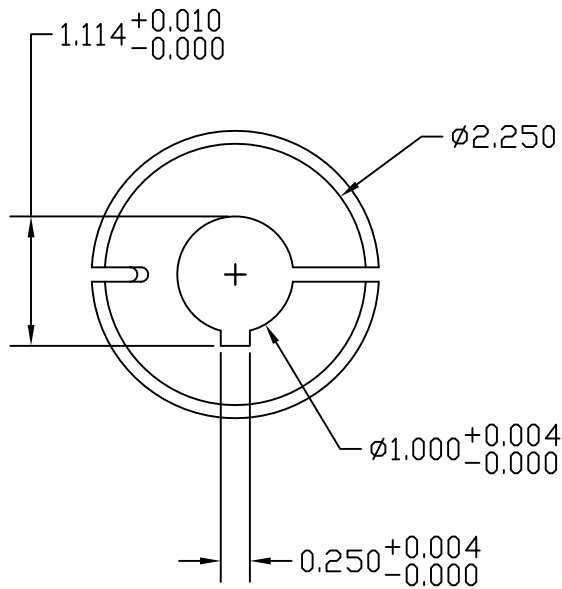


V & O Machine, Inc. Claims proprietary rights in the information disclosed herein. The document is issued in confidence and is not to be reproduced, disclosed or used other than for the expressed purpose for which it was issued. Disclosure to others without written permission from V & O Machine, Inc. is forbidden.



1" X 1 3/16" COUPLING

V & O MACHINE, INC.			
17591 COUNTY ROAD 97 (530) 662-0495		WOODLAND, CA 95695 FAX 662-0394	
DRAWN	DATE	TITLE	
ENGR	DATE	COUPLING CERT PRINT	
CUSTOMER		SIZE	REV
		DWG NO. 1 X 1 3/16	B
		SCALE NA	SHEET 1 OF 1