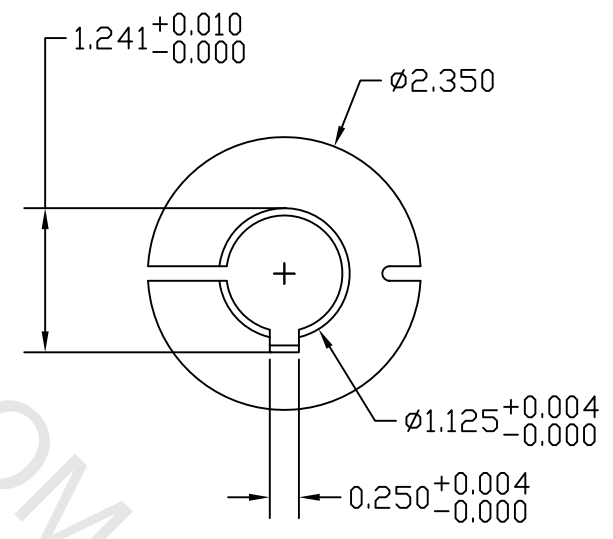
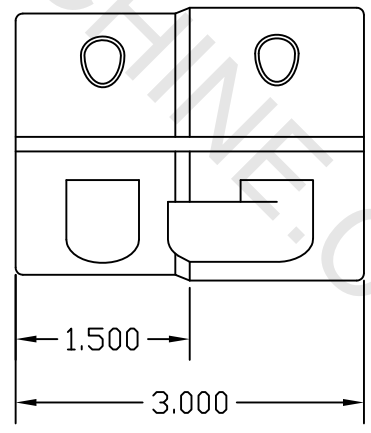
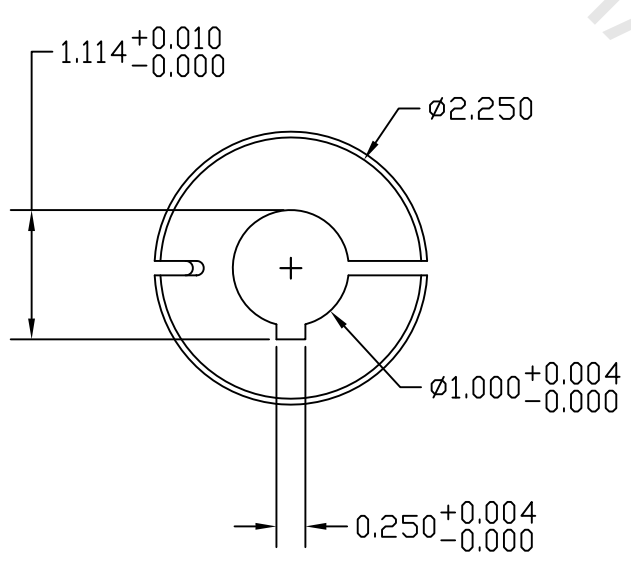


V & O Machine, Inc. Claims proprietary rights in the information disclosed herein. The document is issued in confidence and is not to be reproduced, disclosed or used other than for the expressed purpose for which it was issued. Disclosure to others without written permission from V & O Machine, Inc. is forbidden.



1" X 1 1/8" COUPLING

V & O MACHINE, INC.			
17591 COUNTY ROAD 97 (530) 662-0495		WOODLAND, CA 95695 FAX 662-0394	
DRAWN	DATE 10/23/00	TITLE COUPLING CERT PRINT	
ENGR	DATE	SIZE B	DWG NO. 1 X 1/8
CUSTOMER		SCALE NA	REV A
		SHEET 1 OF 1	